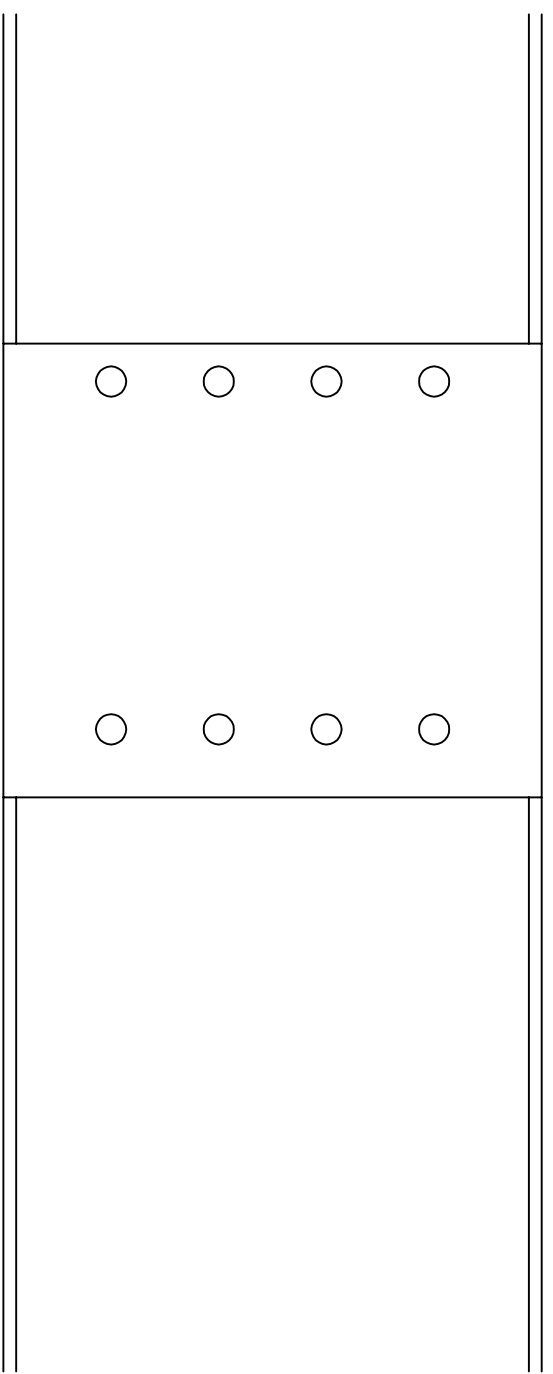
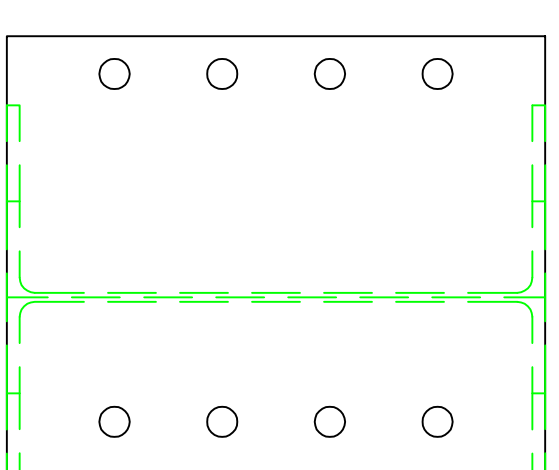
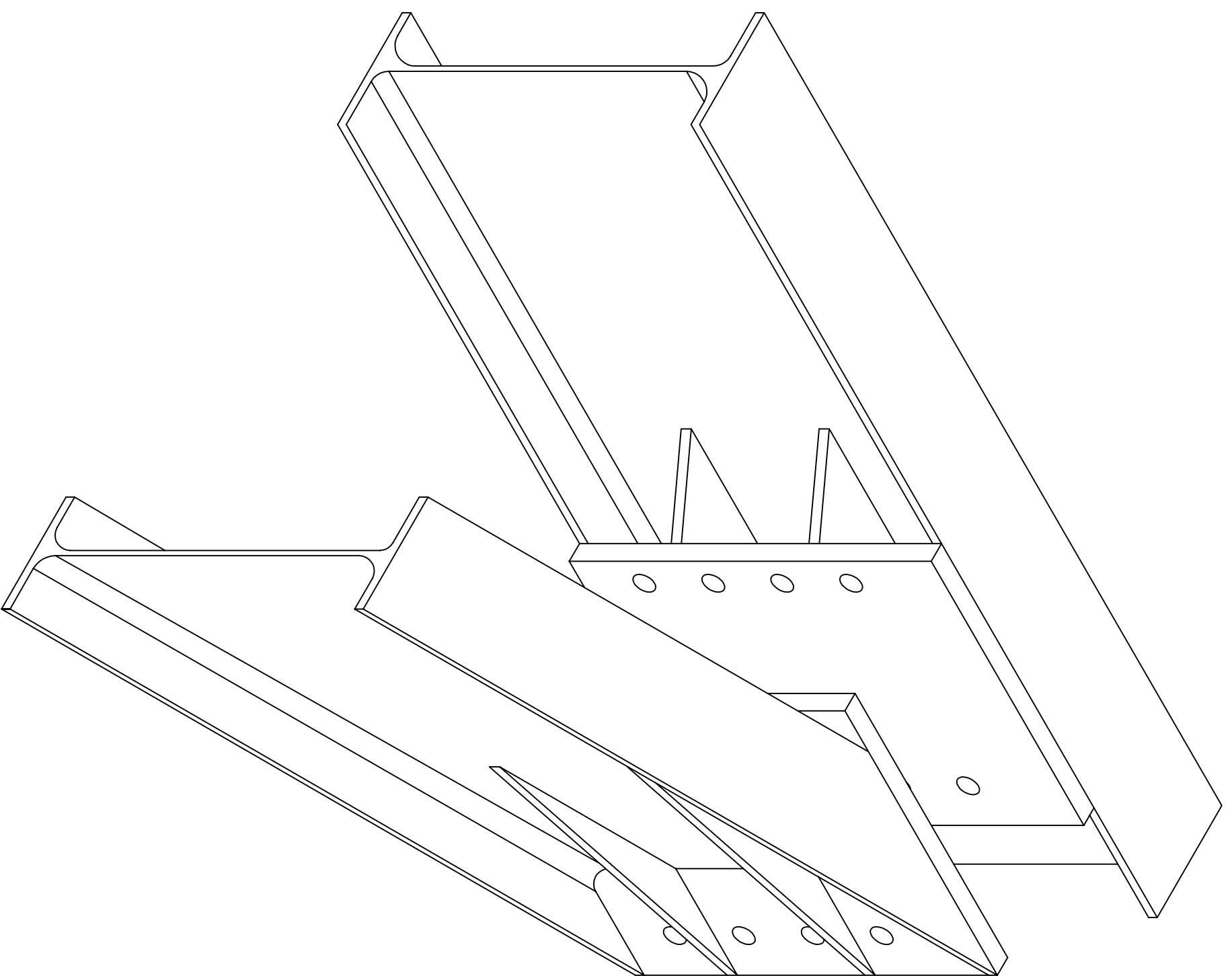


Notes

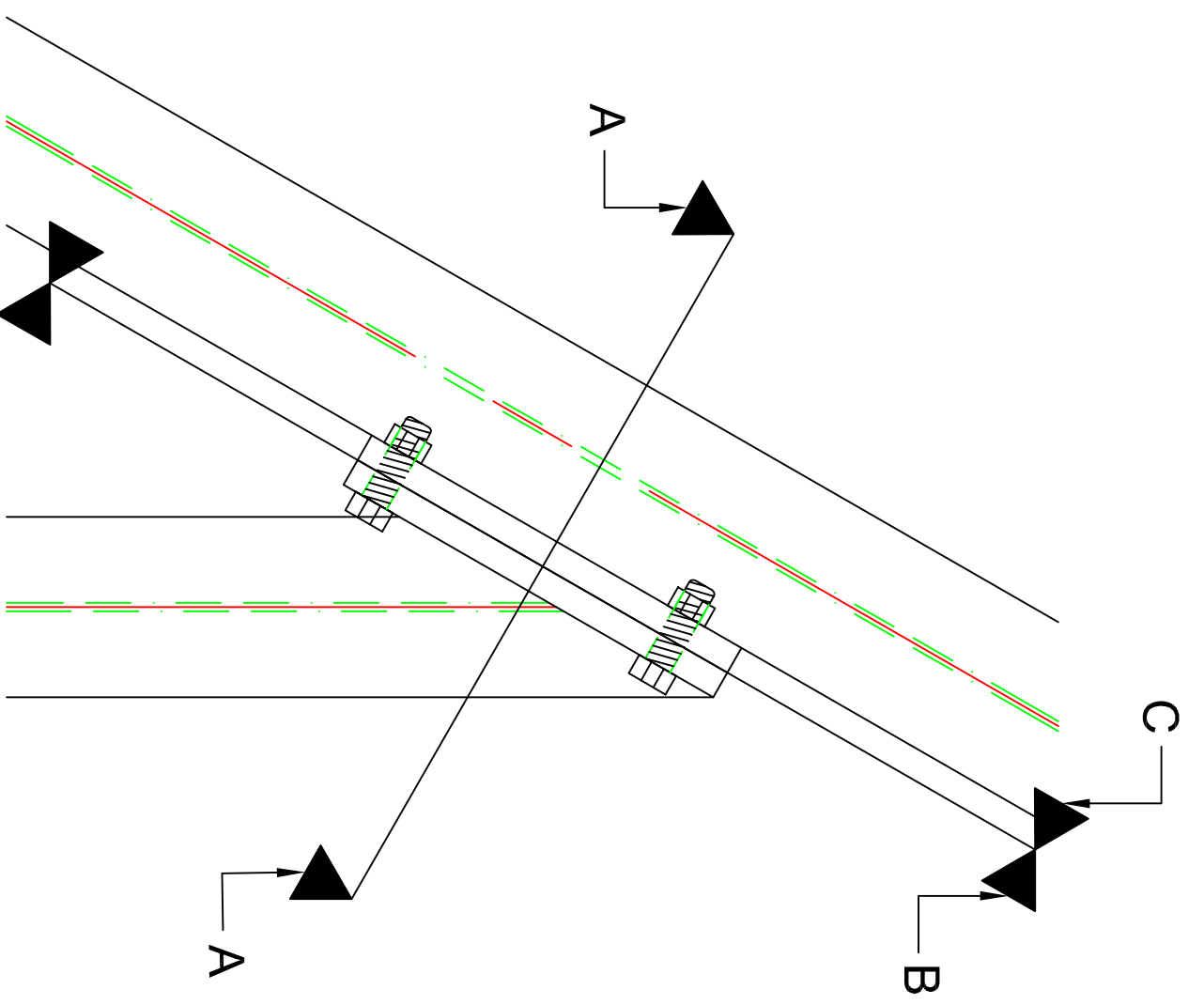
- 1) All end plates 20mm thick
- 2) All stiffeners 10mm thick
- 3) All holes to receive M20 bolts  
8.8 grade



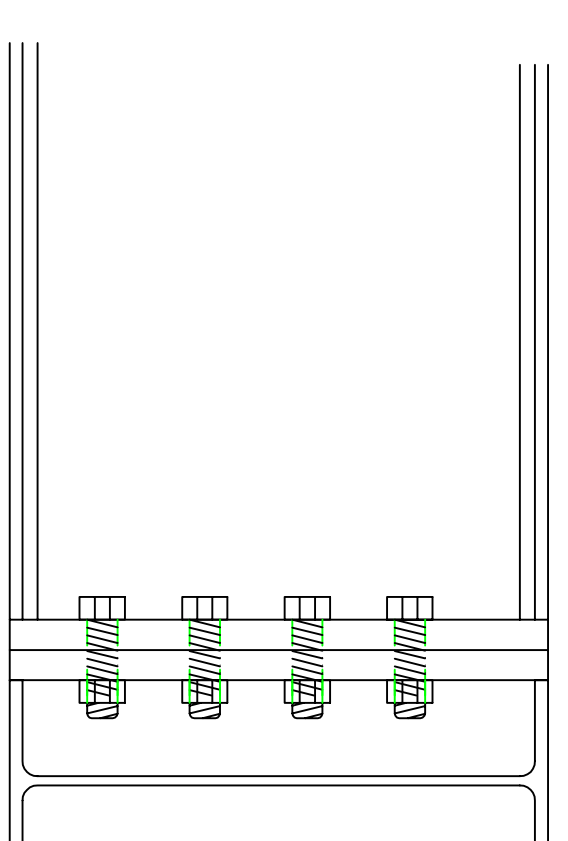
B-B



C-C

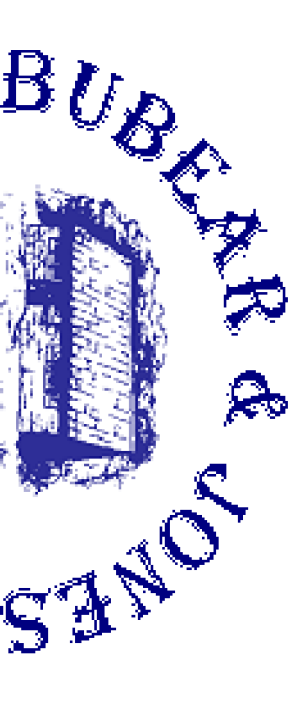


Plan View



A-A

Detail 4  
Joint connection



The Forge Clay Lane  
Headley Surrey  
KT18 6JX  
Phone 01372 386417 Fax 01372 376675  
office@bubearandjones.co.uk

CLIENT:

J Coffey Construction Ltd

DRAWN BY:

G.Scobell

PROJECT:

Oakhill House Phase 3

TITLE:

Reception Roof Steel

SCALE@A1:	CHECKED:	APPROVED:
1:25		
JOB NO.:	DRAWING NO.:	DATE: